



READ THIS BEFORE YOU START

- ❖ **Hardware:** Screws provided by Iron Sleek, Inc. are for 2" x 12" Lumber. Although plywood is a viable option, we recommend using 2" x 12" lumber. If you choose to use plywood, DO NOT use the screws provided. To avoid puncturing the liner, use the appropriate length screws that will not penetrate through the plywood.
- ❖ **Corner Bracing:** Rinks without strong steel corner braces will fail. We strongly recommend the use of Iron Sleek™ Corner Brackets. See Illustration (D) below.
- ❖ **Overload on Iron Sleek™:** The Iron Sleek™ is designed to hold 14 inches of water with 4 foot spacing. If your rink exceeds this, you will need additional components to support your rink. See chart (1). The Iron Sleek™ Rink System can handle most rink configurations. Please consult the website (www.ironselek.com) for additional guidance.
- ❖ **Avoid Rink Water Spill Over:** You need relatively solid ground to install any bracket into the ground. DO NOT LET YOUR RINK WATER SPILL OVER! It will soften the dirt and potentially result in a loose installation.

SUGGESTED LAYOUT FOR THE IRON SLEEK™ RINK SYSTEM

Bracket Spacing

Brackets need to be spaced properly to support the local water depth. In shallow areas, spacing can be as much as 8' with 2" x 12" lumber. If you choose plywood boards, 4' should be the maximum spacing. As the rink gets deeper, spacing will need to get closer. See Chart (1). At the deepest point of the rink, spacing will need to be the closest. Always err on the side of caution. If in doubt, reduce bracket spacing, as this will give the strongest support.

Mid-Board Installation

Position boards around the Iron Sleeks™. Insert 2 screws through the Iron Sleek™ Bracket into the center holes ONLY. See Illustration (B).

Seam Installation

It is required to install an Iron Sleek™ Bracket where any 2 boards join. Use a minimum of 4 screws (2 on each side). See Illustration (C). DO NOT leave board seams without support.

Corner Installation

Join the corner boards with the Iron Sleek™ Corner Brackets. Use the recommended number of brackets listed in Chart (1). Use the screws provided when using 2" x 12" lumber. See Illustration (D).

Chart 1

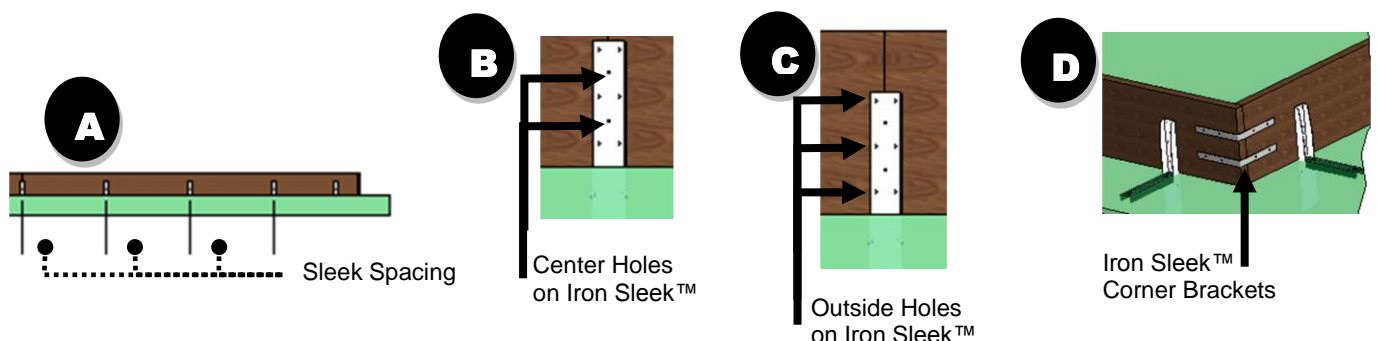
This chart assumes use of 2" x 12" lumber. Spacing for all depths below 14" should be 4' when using plywood.

Water Depth	Sleek Spacing	Ground Stake?	Corner Brackets
<8"	8'	No	1
8"-10"	6'	No	1
10"-12"	4'	No	2
12"-14"	4'	Yes	2
14"-16"	3'	Yes	2
16"-18"	2'	Yes	2

Soft Soil and High Water Level Installation

The black portion of the Iron Sleek™ Bracket is equipped with $\frac{3}{4}$ " ground stake holes. If your rink location has soft soil or your rink water level is above 12", it is recommended to insert our $\frac{1}{2}$ " by 1 foot Epoxy Coated Ground Stake into the hole closest to the board.

ILLUSTRATIONS



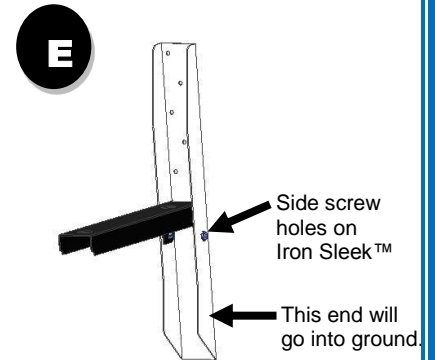
Iron Sleek, Inc. 836 S. Arlington Heights Rd #220, Elk Grove Village, IL 60007

PH: 877.825.2334 **FX:** 877.825.2336 **Email:** info@ironselek.com **Website:** www.ironselek.com



ASSEMBLY OF THE IRON SLEEK™ BRACKET

- 1) Position the brackets as shown in illustration (E). The smooth, flat part of the black bracket should be face up. The wider, angled part of the white bracket should be on the bottom.
- 2) Align the screw holes on the black bracket with the side screw holes of the white bracket.
- 3) Twist in each screw and tighten. DO NOT OVER TIGHTEN. Black bracket should fold down easily for storage.

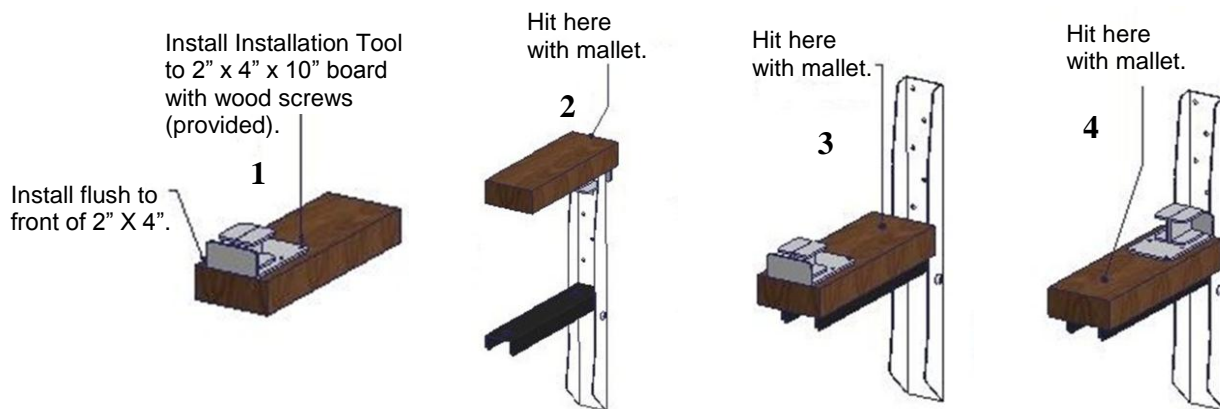


GROUND INSTALLATION OF THE IRON SLEEK™ BRACKET

It is recommended that you watch the YouTube video at <http://www.youtube.com/user/Ironsleek>.



- 1) Mount the *Iron Sleek™ Installation Tool* to a 2" x 4" that is at least 10 inches long. Keep the front of the installation tool flush to the end of the board. See Illustration (1).
- 2) Draw a straight line along the staged boards. This will serve as a guide to insure straight bracket installation. This is very important.
- 3) By hand, wiggle and push the bracket into the ground, along the board line, until it is self-supported. Then, place the *Iron Sleek™ Installation Tool* on top of the Iron Sleek™ and hammer down directly above the bracket until the black part of the bracket is firm into the ground. See Illustration (2). For best results, use a dead blow hammer or a mallet. DO NOT USE A SLEDGEHAMMER!
- 4) Position the *Iron Sleek™ Installation Tool* as shown in Illustration (3) and hit as indicated.
- 5) Position the *Iron Sleek™ Installation Tool* as shown in Illustration (4) and hit as indicated.



ADDITIONAL PRECAUTIONS

The Iron Sleek™ Rink System is designed to hold up the boards that contain the water/ice for an outdoor ice rink. It is not to be used to hold up tall boards, such as backboards (do not use boards that are over 18 inches tall). It is intended for use on rinks that are relatively level. For rinks that have over 14 inches of water, you will need to adapt additional support structures – ½ inch by 1 foot ground stakes, for example. Even though it is made of steel, the bracket is optimized to comfortably hold rinks at the spacing indicated in Chart (1). We do not recommend holding up tall boards because impact with leverage can be destructive to the bracket. These are water/ice containment brackets. They are not designed to sustain load at high leverage points.

Iron Sleek, Inc. 836 S. Arlington Heights Rd #220, Elk Grove Village, IL 60007

PH: 877.825.2334 **FX:** 877.825.2336 **Email:** info@ironsleek.com **Website:** www.ironsleek.com.