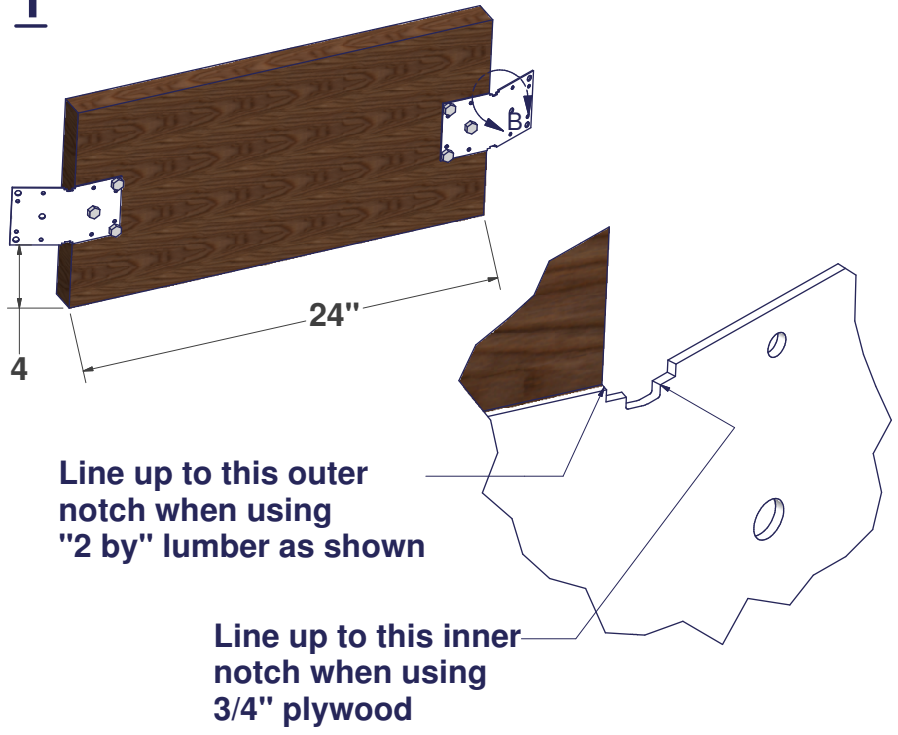


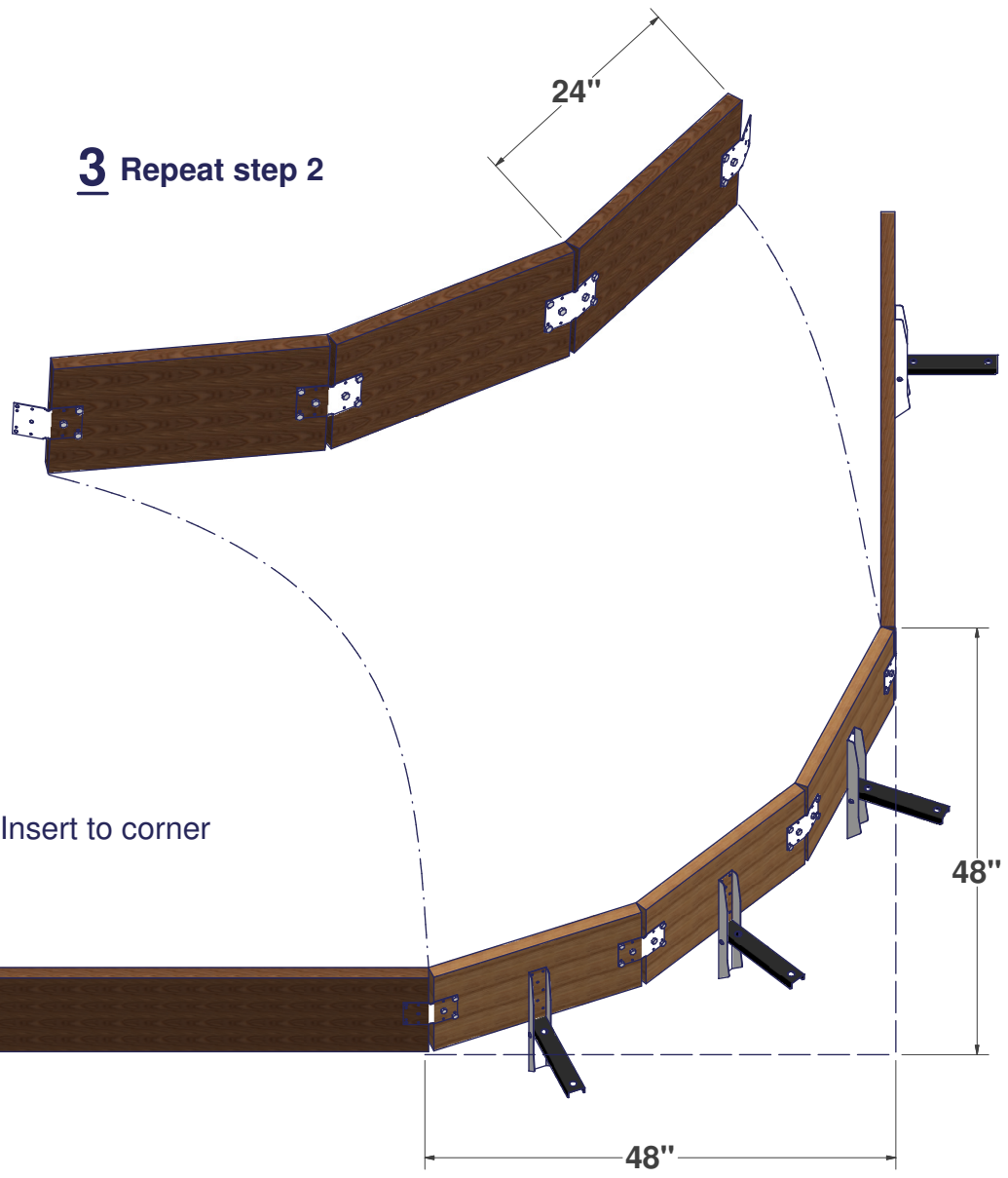
**CORNER BRACKET ASSEMBLY INSTRUCTIONS**

**1**



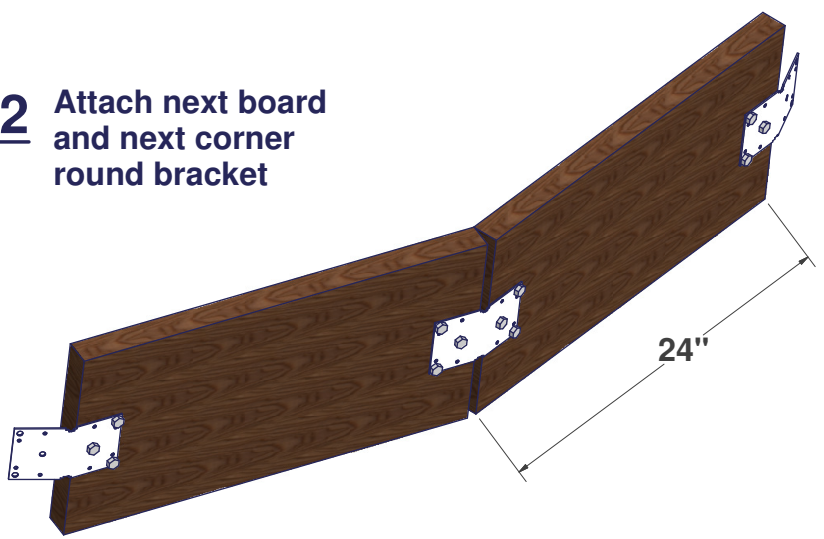
**CAUTION:**  
If you have over 11" of water, use 2 corner round brackets per seam

**3** Repeat step 2



**2**

Attach next board and next corner round bracket



**4** Insert to corner

